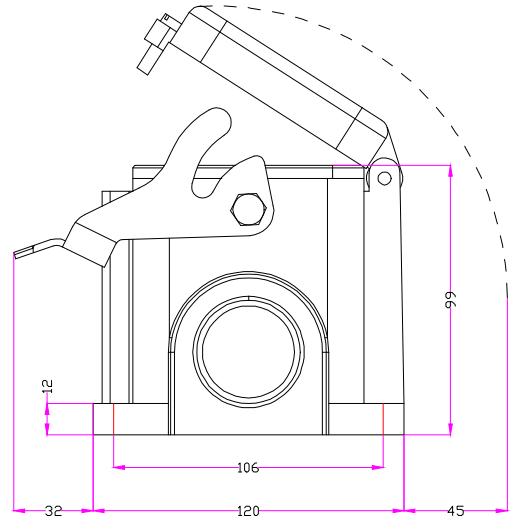
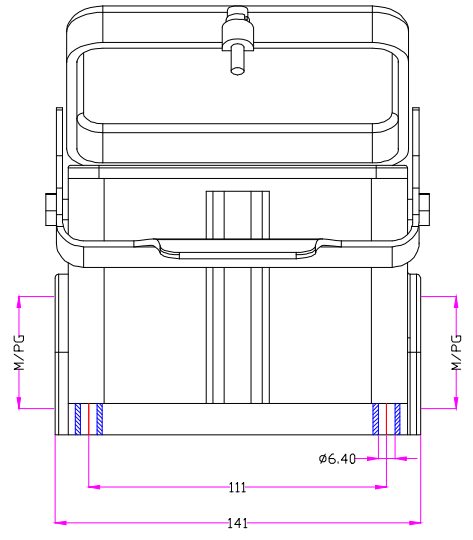



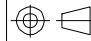
REVISION DATA				
SYM	ECN	DESCRIPTION	DATE	APPROVED



技术参数:  
 材料: 压铸铝  
 表面处理: 粉末喷涂  
 颜色: RAL7037灰色  
 温度范围:  $-40^{\circ}\text{C} \sim +125^{\circ}\text{C}$   
 防护等级: IP65 (联锁状态)  
 联锁元件  
     锁扣方式: 单扣  
     材料: 不锈钢  
 密封元件: NBR  
 出线方向: 侧出线  
 螺纹规格:  
 M40/M50/2M40/2M50/PG29/2PG29/PG36/2PG36

Specifications:  
 Material: aluminium die-cast  
 Surface: powder-coated  
 Color: Grey (RAL 7037)  
 Limiting temperatures:  $-40^{\circ}\text{C} \sim +125^{\circ}\text{C}$   
 Degree of protection : IP65  
 Locking element :  
     Locking type: single locking latch  
     material: stainless steel  
 Hoods/Housings sealing: NBR  
 Cable entry: Side entry  
 Thread size:  
 M40/M50/2M40/2M50/PG29/2PG29/PG36/2PG36



Tolerance		SIGNATURE	DATE	Units	mm	 宁波欧科瑞连接器有限公司 NINGBO OUKERUI CONNECTOR CO., LTD.	
0~≤20 ±0.15	DRAW			Size	A4		
20~≤50 ±0.25	DESIGN			Scale		PART NAME: HZW-H48B-SG-CV-1PL-M/PG	
50~≤80 ±0.35	CHECK			Sheet		Drawing NO.	REV
80~≤120 ±0.50	APPROVE			Proj.		Material	A