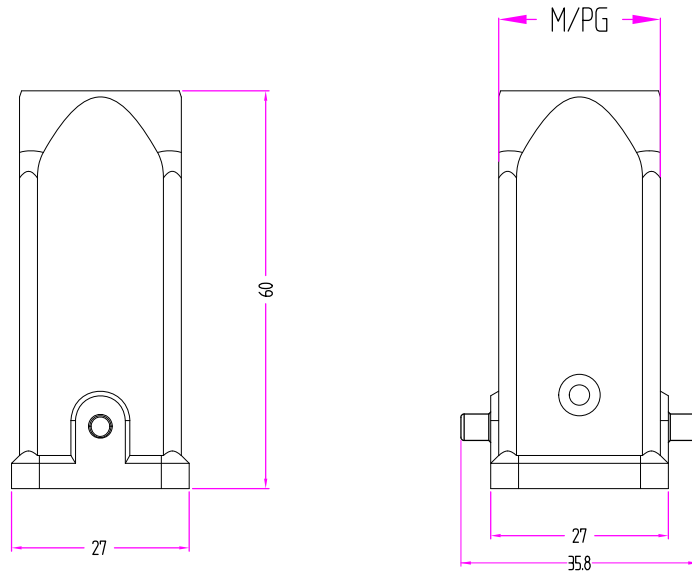


		7		8	
		REVISION		DATA	
SYM	ECN	DESCRIPTION	DATE	APPROVED	



技术参数:

材料: PC

颜色: RAL7032灰白色

温度范围: $-40^{\circ}\text{C}\sim+125^{\circ}\text{C}$

防护等级: IP65(联锁状态)

出线方向: 顶出线

螺纹规格: M20/PG11

Specifications:

Material: PC

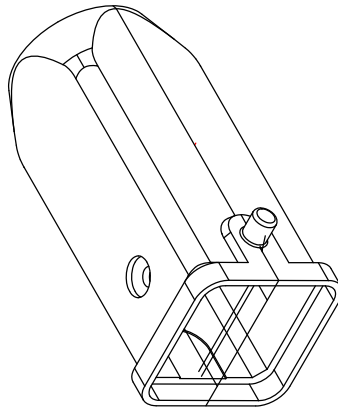
Color: (RAL 7032) Light Grey


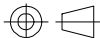
Limiting temperatures: $-40^{\circ}\text{C}\sim+125^{\circ}\text{C}$

Degree of protection: IP65

Cable entry: top entry

Thread size: M20/PG11



Tolerance		SIGNATURE	DATE	Units	mm	 宁波欧科瑞连接器有限公司 NINGBO OUKERUI CONNECTOR CO.,LTD.	
0~≤20 ±0.15	DRAW			Size	A4		
20~≤50 ±0.25	DESIGN			Scale		PART NAME: HZW-H3A. P-TK-2g	
50~≤80 ±0.35	CHECK			Sheet		Drawing NO.	REV
80~≤120 ±0.50	APPROVE			Proj.		Material	A